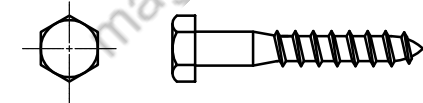
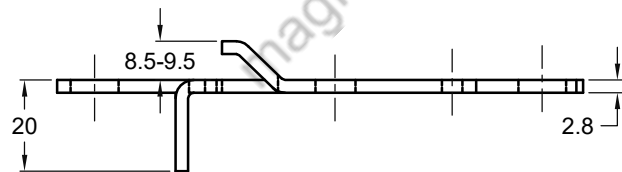
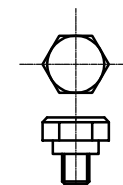
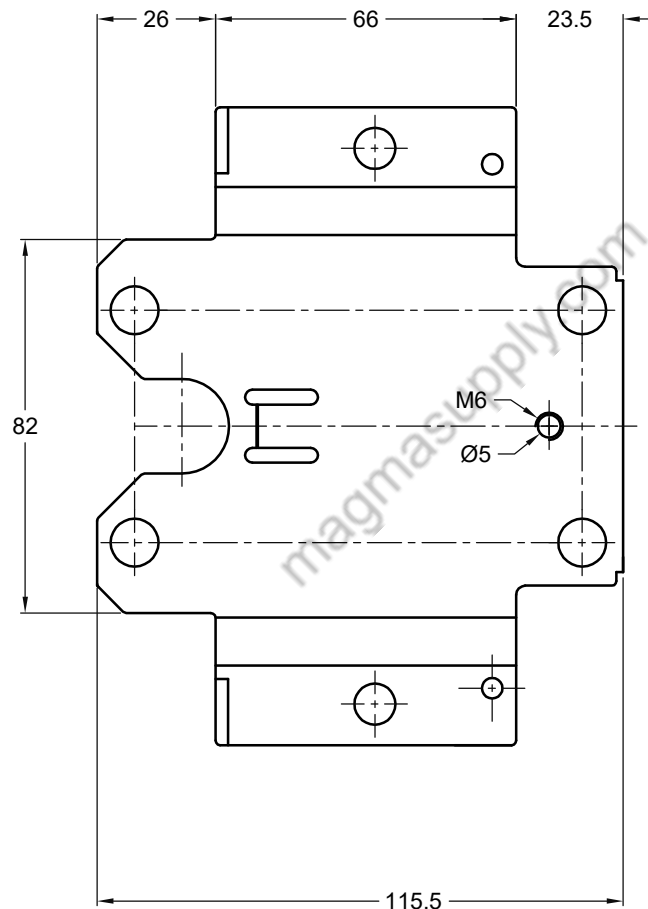
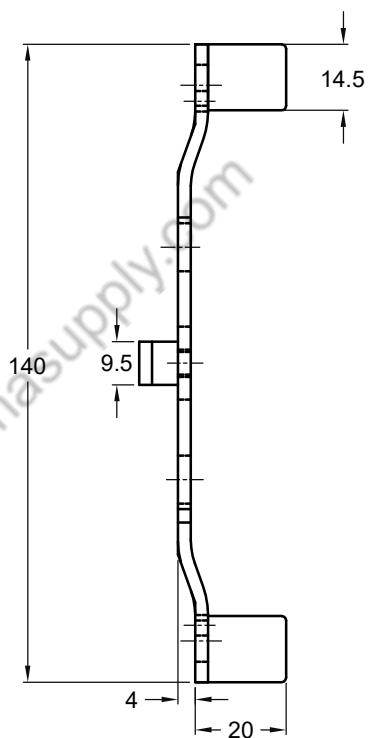


5/16" X 2" HEX HEAD LAG SCREWS

ITEM CODE: MSF015		<b>MAGMA INDUSTRIAL SUPPLY LTD. BC, CANADA</b>	
NAME: SELF LOCK LATCH POSTMOUNT, 10.1/2" LEVER (P-1)			
DATE: 30/02/2018	DRN BY: R.K.	CHECKED BY:	APPROVED BY:
ALL DIMENSION IN MM	REV. NO. 00	SCALE 1:1	



5/16" X 2" HEX HEAD LAG SCREWS

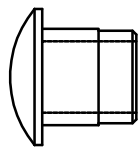
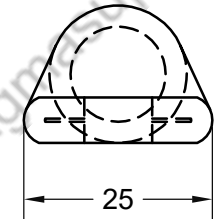
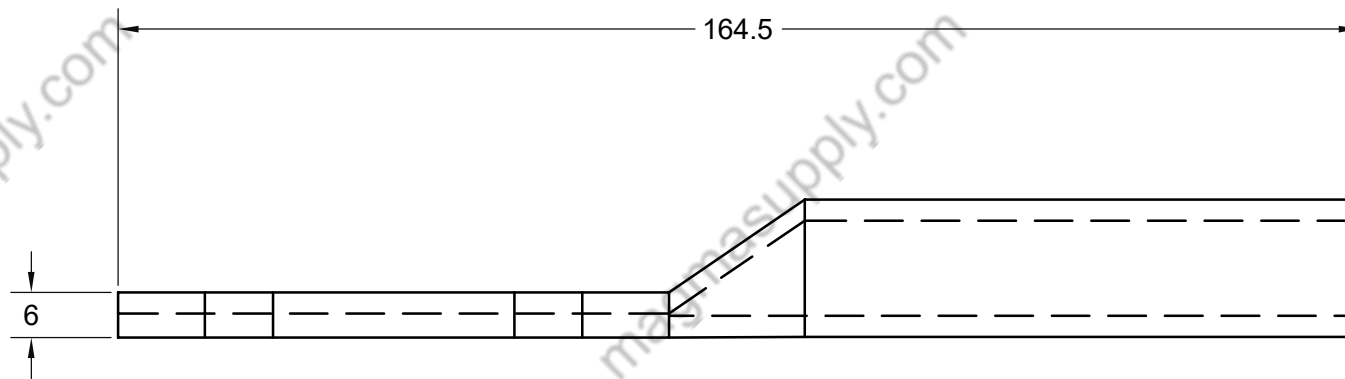
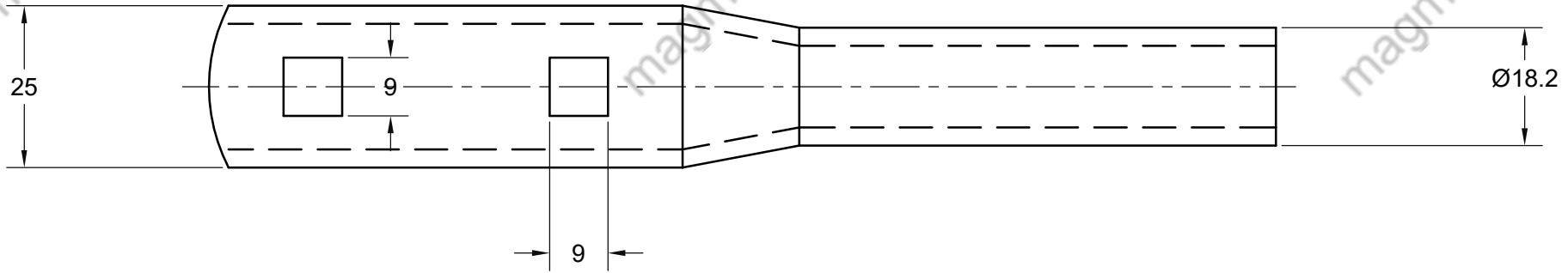


6 mm BOLT

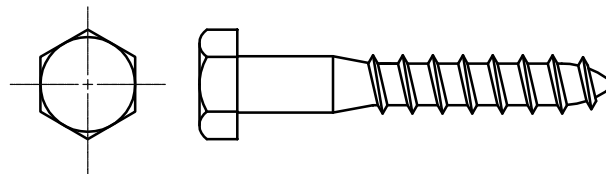


1/4" X 1.1/2" SPRING

ITEM CODE: MSF015	<b>MAGMA INDUSTRIAL SUPPLY LTD. BC, CANADA</b>		
NAME: SELF LOCK LATCH POSTMOUNT, 10.1/2" BODY (P-2)	DRN BY: R.K.	CHECKED BY:	APPROVED BY:
DATE: 30/02/2018	REV. NO. 00	SCALE 1:1	
ALL DIMENSION IN MM			



**PVC HANDLE CAP**



**5/16" X 2" HEX HEAD LAG SCREWS**

ITEM CODE: MSF015	<b>MAGMA INDUSTRIAL SUPPLY LTD. BC, CANADA</b>		
NAME: SELF LOCK LATCH POSTMOUNT, 10.1/2" HANDLE (P-3)			
DATE: 30/02/2018	DRN BY: R.K.	CHECKED BY:	APPROVED BY:
ALL DIMENSION IN MM	REV. NO. 00	SCALE 1:1	